

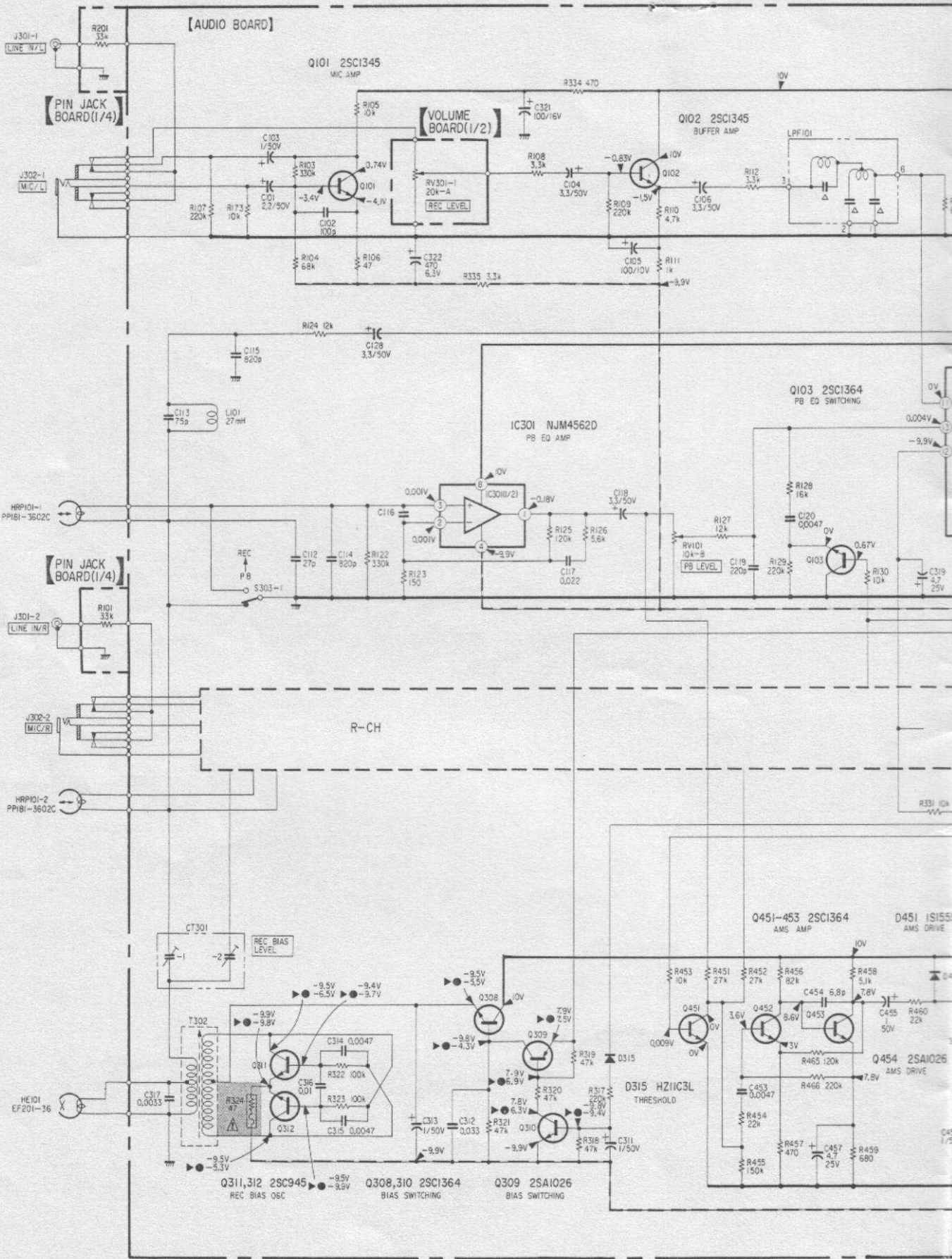
1
2
3
4
5

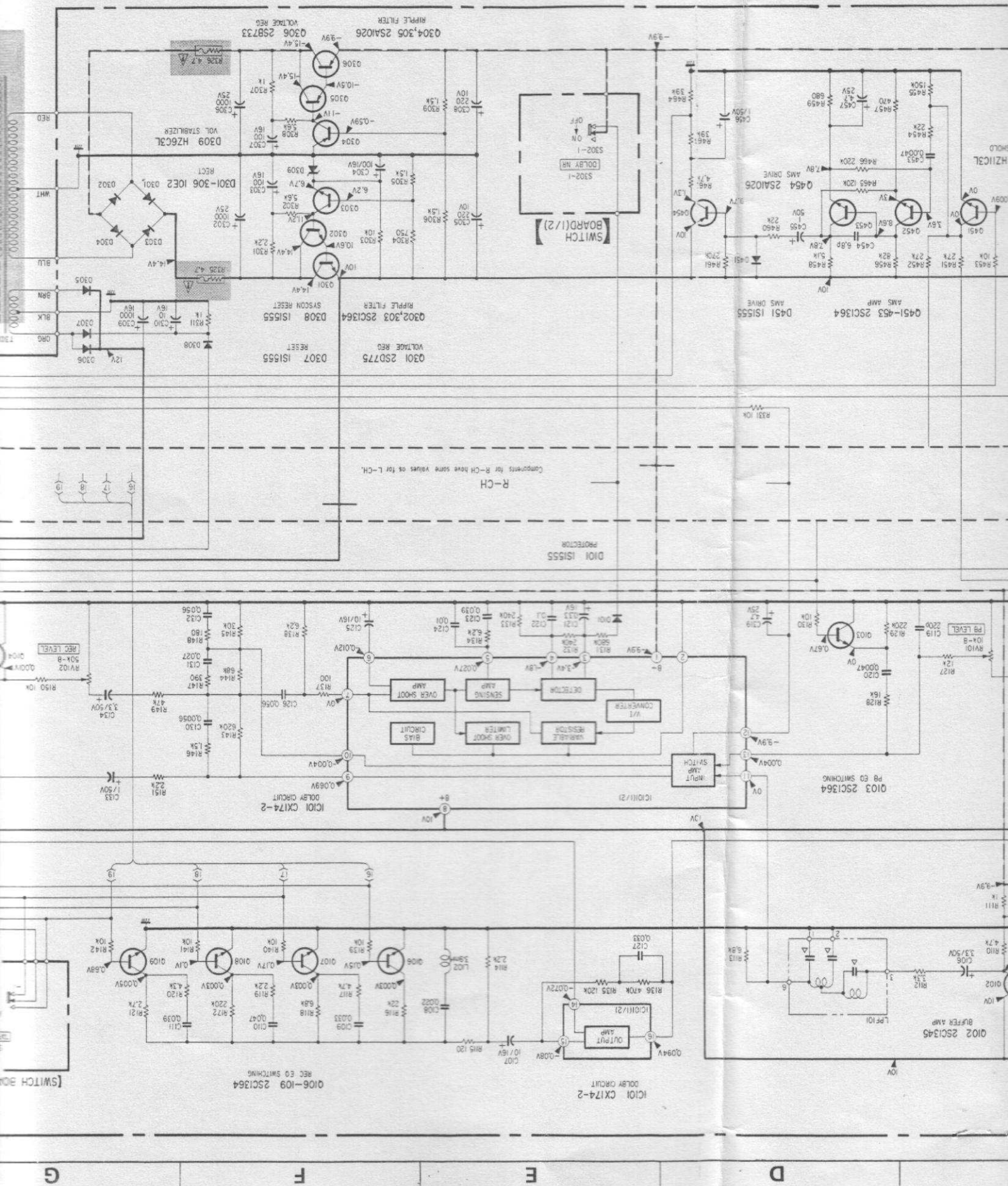
A

B

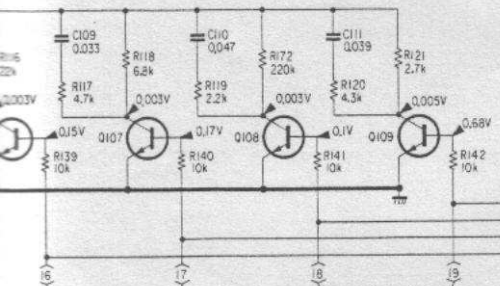
C

D



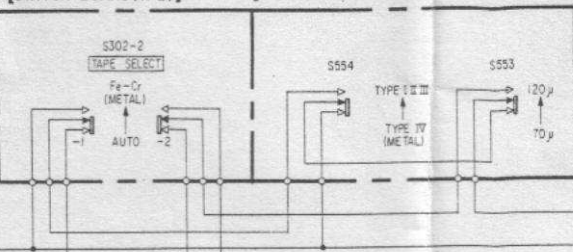


Q106-109 2SC1364
REC EQ SWITCHING

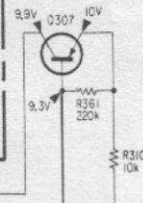


[SWITCH BOARD(1/2)]

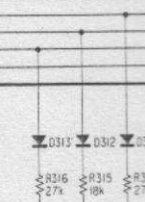
[MECHANISM CONTROL BOARD(1/2)]



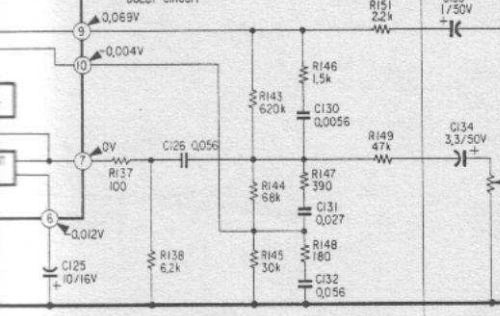
Q307 2SA1026
TAPE TYPE IND



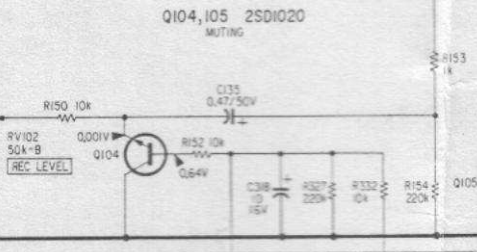
D310-314 IS1555
PROTECTOR



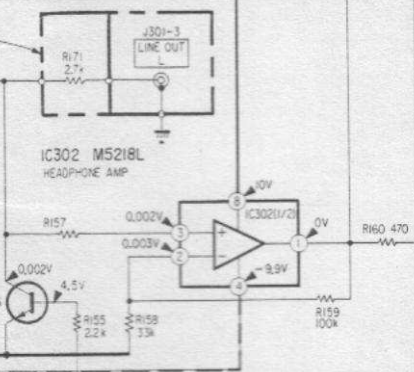
IC101 CX174-2
DOLBY CIRCUIT



Q104,105 2SD1020
MUTING

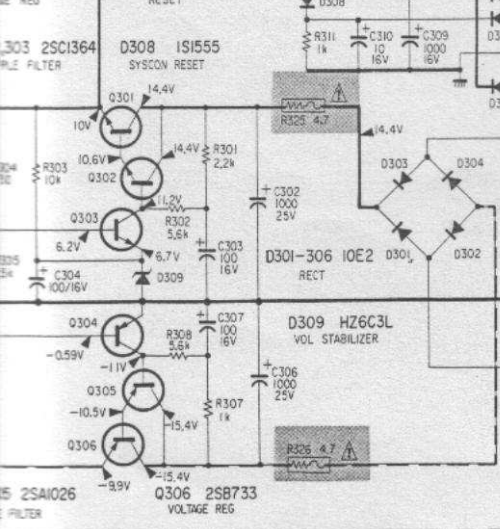


[PIN JACK BOARD(1/4)]



R-CH

2SD775
REG



D307 IS1555
RESET

D308 IS1555
SYSCON RESET

